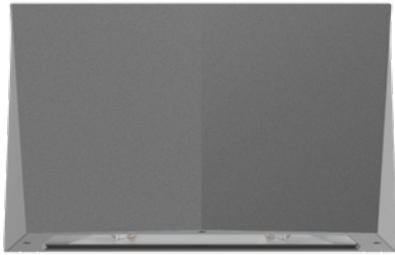


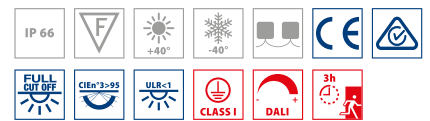
SHIELD+ 2

design by PERFORMANCE IN LIGHTING

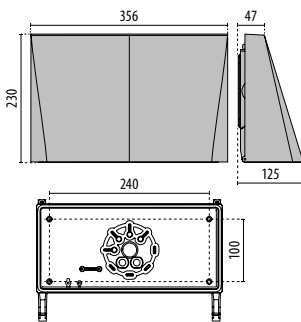


- Range of indoor and outdoor wall mounted LED fixtures, comprising:
- Polyester powder coated die-cast aluminium housing
 - Powder polyester painting process optimized against UV rays in 13 different steps
 - Flat toughened glass diffuser
 - Technopolymer reflector with high efficiency aluminium protective surface treatment
 - Silicone gasket
 - High power LEDs with next generation high intensity light beam
 - Controlled heat dissipation to guarantee long-lasting LED operation
 - Dimmable DALI
 - DALI versions have two drivers. Dual ignition is possible

- by assigning and managing addresses within the DALI protocol
- EXTREME versions are suitable for extreme conditions, -40°C
- EM/3P version is designed for multipurpose and 3 hours sustained emergency lighting
- Li-Fe Po4 3,2 V 3.0 Ah batteries, 3-hour maintained, 24 hours recharge time
- Through-wiring possible
- Twilight models (C versions) complete with dusk sensor are available on request
- Photometric data measure according to UNI EN 13032-4 and IES LM-79-08



● AN-96 / Anthracite gray / Textured

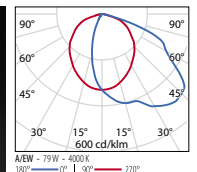
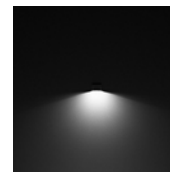


Please visit our web site www.performanceinlighting.com for the latest updated versions available.

SHIELD+ 2

IK09 10J xx9

WATTAGE	CLASS	CRI	KELVIN	COS Φ	OPTIC	OPTIC BEAM	LIGHTSOURCE LUMEN OUTPUT	LUMINAIRE LUMEN OUTPUT	L	B	LIFETIME	COLOUR/ RAL	PART NUMBER
Power LED 220-240 V 50/60 Hz													
79 W	I	-	80	4000	✓	A/EW	-	10552 lm	7985 lm	80	10	70000 h	● 3106328
79 W	I	-	80	3000	✓	A/EW	-	10284 lm	7261 lm	80	10	70000 h	● 3106326
52 W	I	-	80	4000	✓	A/EW	-	7210 lm	6070 lm	80	10	235000 h	● 3106332
52 W	I	-	80	3000	✓	A/EW	-	7028 lm	5518 lm	80	10	235000 h	● 3106330
Power LED - Emergency 3h - 220-240 V 50/60 Hz													
52 W	I	-	80	4000	✓	A/EW	-	7210 lm	6070 lm	80	10	170000 h	● 3106340
52 W	I	-	80	3000	✓	A/EW	-	7028 lm	5518 lm	80	10	170000 h	● 3106338



SHIELD+ 2 EXTREME-40°

IK09 10J xx9

WATTAGE	CLASS	CRI	KELVIN	COS Φ	OPTIC	OPTIC BEAM	LIGHTSOURCE LUMEN OUTPUT	LUMINAIRE LUMEN OUTPUT	L	B	LIFETIME	COLOUR/ RAL	PART NUMBER
Power LED - dimmable DALI 220-240 V 50/60 Hz													
79 W	I	-	80	4000	✓	A/EW	-	10552 lm	7985 lm	80	10	70000 h	● 3106336
79 W	I	-	80	3000	✓	A/EW	-	10284 lm	7261 lm	80	10	70000 h	● 3106334

